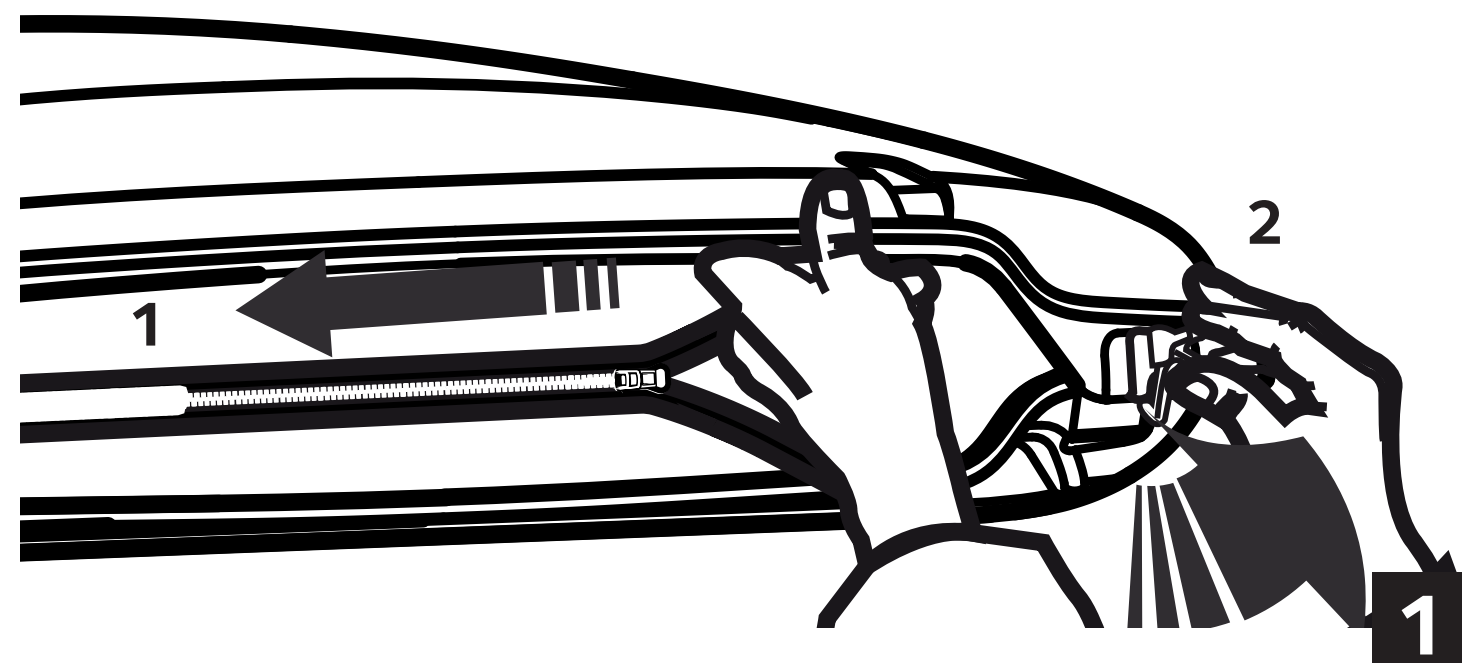
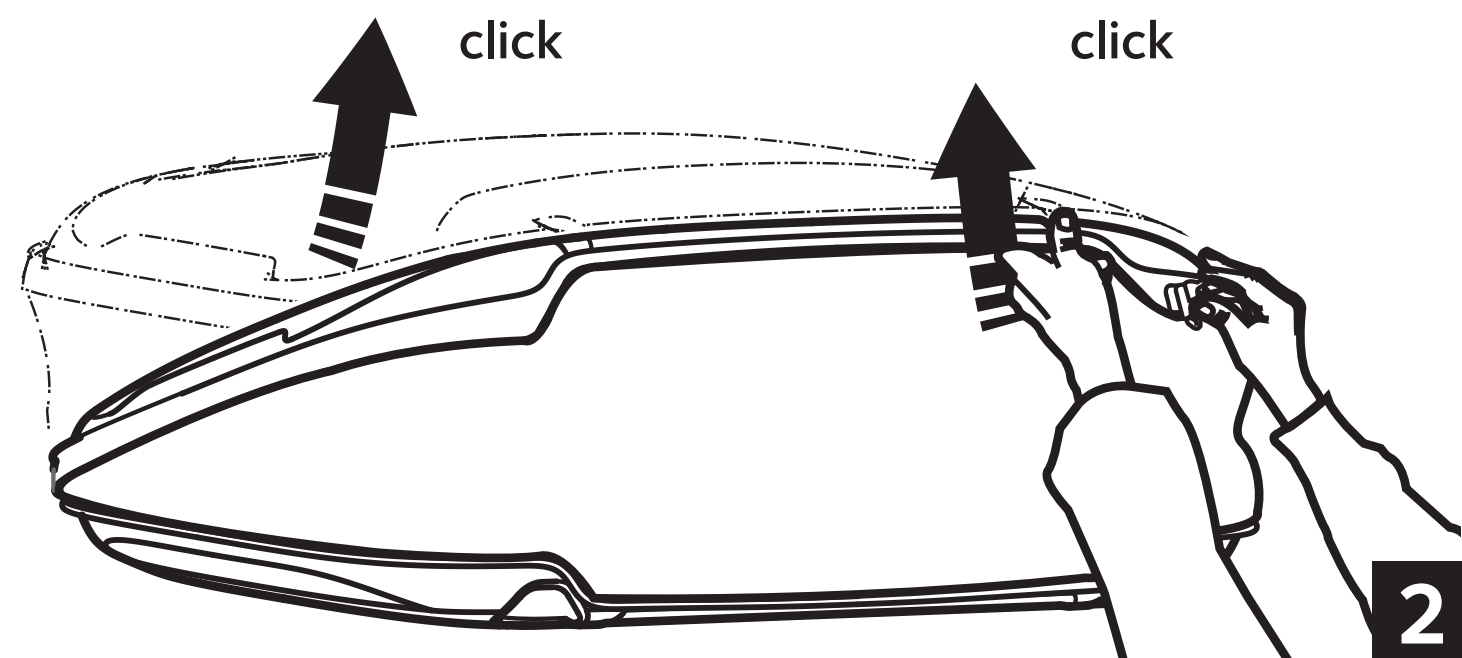


OPENING

- 1) Open outer zipper completely.
- 2) Release the hitch and push the top upwards.

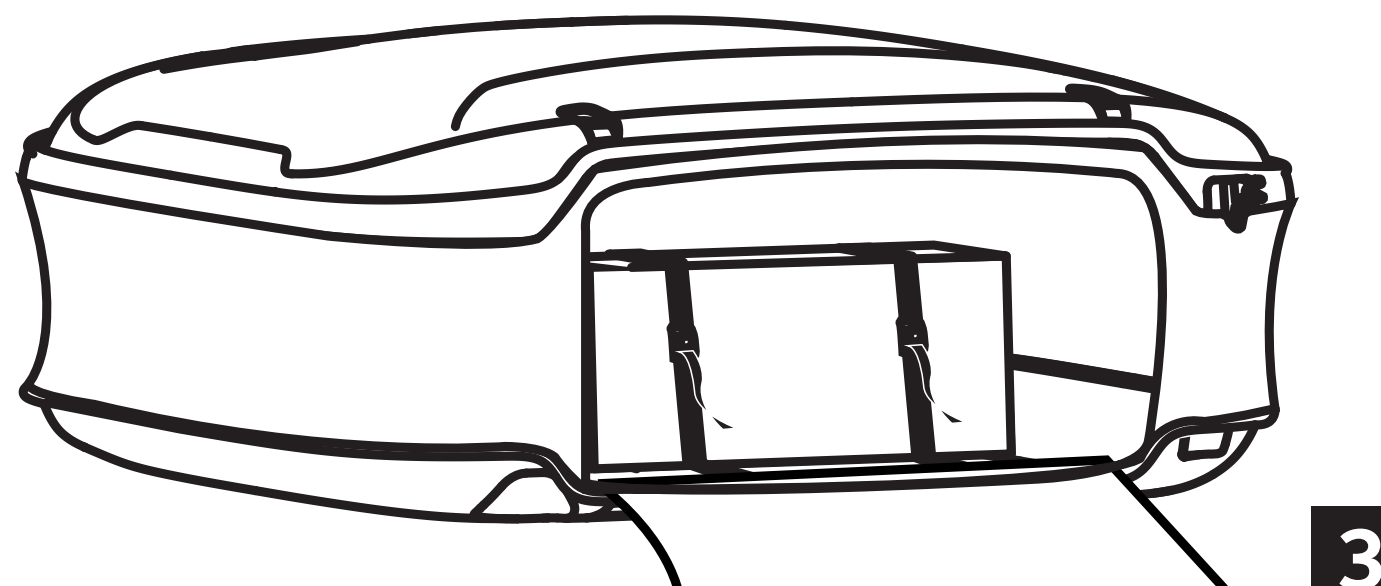


- 1) Push until top clicks into place. Repeat on other side.
- 2) Open the inner zipper.



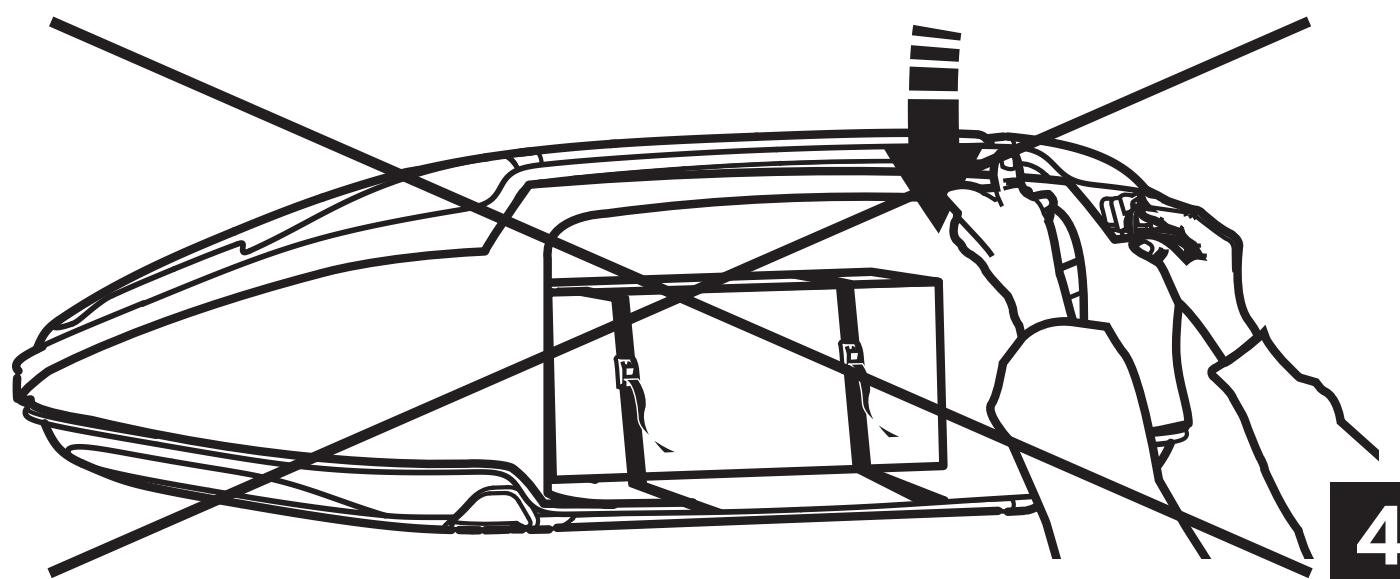
LOADING

Place the load evenly throughout the box.
All items are to be fastened with the loading straps



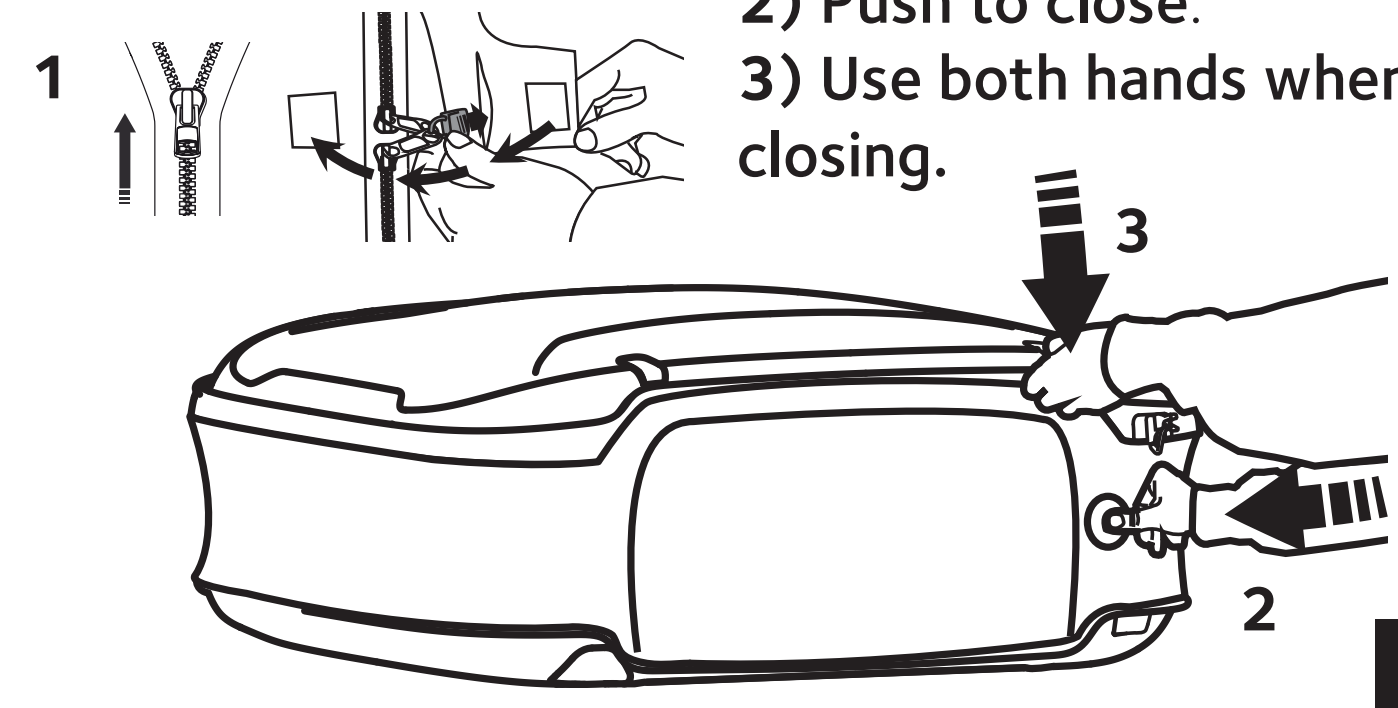
Warning!

Load must not contain any sharp objects.
Do not close top when loaded.
Max load: 50kg

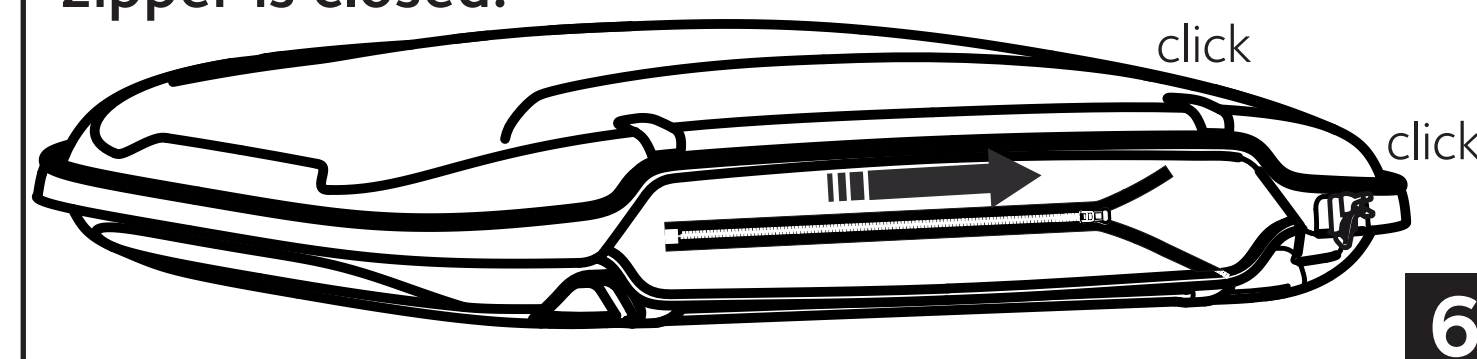


CLOSING

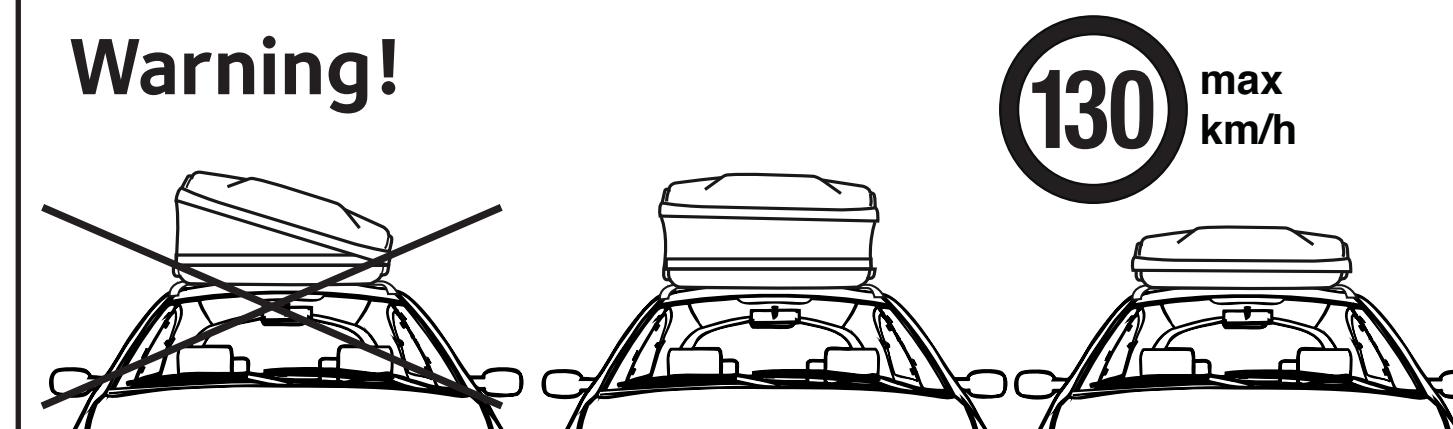
- 1) Close inner zipper and secure with padlocks.
- 2) Push to close.
- 3) Use both hands when closing.



Box is properly closed when top covers bottom and both hitches are clicked into place and outer zipper is closed.



Warning!



Zuladung / Charge / Load / Last MAX 50 KG

Patent Pending. Made by Autoform i Malung AB
Box 155, SE-78224 Malung, Sweden